

OZtherm

F105 SERIES AC/DC SOLID STATE CONTACTORS



BONDED HEAT SINK TECHNOLOGY

- Compact heat-sink with small footprint.
- Lower weight and higher thermal efficiency than extruded heat sink.
- Highly efficient forced cooling solutions.



APPLICATIONS

- AC/DC Solid State Contactors.
- AC Switch for Heating Controllers.
- AC/DC switch for many power control applications, especially effective in repetitive high current switching.

PRODUCT OUTLINE

- AC and DC Control Inputs.
- 40 Deg C max. cooling air.
- AC loads to 90Amps/660Vac.
 - Single and Three Phase
 - Zero and Random Cross types
 - Varistor protection and safety cover supplied as standard.
- DC loads to 40Amps/500V.
 - Diode supplied loose for load suppression.
- Fan-cooled types fitted with thermal switch.

FEATURES

- Heat-sink and SSR combination designed for optimum thermal and electrical performance.
- DIN Rail or Panel Mount.
- Convection or fan-cooled.
- "CRYDOM" SSRs. The world leader in SSR Technology.
- Electrically isolated heat-sink.
- Fully repairable assemblies.
- Optional RC snubbers and Semi-Conductor Protection fuses.
- Custom designs.

Fastron
Technologies Pty Ltd

• Over 15 years experience in the design and manufacture of solid state switches

• Specialists in Power Semiconductors, Heat Sink assemblies and Process Instrumentation

• More than 1,500 OZtherm Thyristor Heating Controllers in service worldwide

SPECIFICATION

Input voltage, AC Control	90VAC–280VAC
Output Voltage, 240VAC nominal	24VAC–275VAC
Output Voltage, 415VAC nominal	48VAC–460VAC
Minimum Load Current, AC Output	0.04A
Transient Protection, AC Output	Varistor (Built-in)
Temperature Range	-30°C to +40°C

Input Voltage, DC Control	3.5–32VDC
Output Voltage, DC	3–60 VDC 0–100/200/400/500VDC
Minimum Load Current, DC Output	0.02A
Transient Protection, DC Output	Fast Recovery Diode (Loose)
Thermal Switch (Fan-cooled only)	6.3A, 250VAC, N/C

PRODUCT IDENTIFICATION

F1X5	-	X		XX					-	XX	X	-	X		
Type	Output	Input		AC Output		DC Output, Maximum Voltage					Output	SSR	Mounting		
	AMPS	90–280VAC	3.5–32VDC	240VAC	415VAC	60V	100V	200V	400V	500V	AMPS	Z/R	DIN	PANEL	
F105 DC Output	03	A	D			DO(1)					03	L E A V E B L A N K	D		
	05	A	D			DO(1)					05		D		
	06		D				D1 (1)#	D2 (1)#	D4 (2)	D5 (2)	06		D	P	
	07	A	D			DO(1)					07		D		
	08		D							D5 (4)	08		D	P	
	12		D				D1 (2)	D2 (2)	D4 (4)		12		D	P	
	20		D				D1 (3)				20		D	P	
F115 Single Phase AC Output	36		D			D1 (4)					36	D	P		
	40		D			D1 (5)		Fan cooled			40	D	P		
	15	A	D	A2	A4	Notes: • Numbers in brackets denote a package type and NOT a part number • # denotes panel mounting is NOT available in package type (1) • R denotes Random Cross SSR • Z denotes standard Zero Cross SSR					15	Z/R	D		
	30	A	D	A2	A4						(1)	30	Z/R	D	P
	40	A	D	A2	A4						(2)	40	Z/R	D	P
50	A	D	A2	A4	(2)						50	Z/R	D	P	
60	A	D	A2	A4	(3)						60	Z/R	D	P	
F135 3 Phase	80	A	D	A2	A4	(4)	80	Z/R	D	P					
	90	A	D	A2	A4	(4)	90	Z/R	D	P					
	25	A	D		A4	Fan cooled					25	Z/R	D	P	
50	A	D		A4	(6)						50	Z/R	D	P	

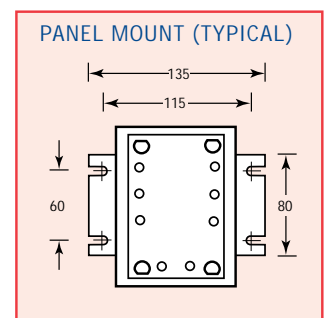
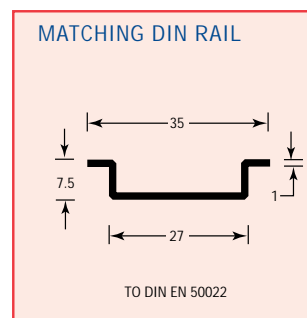
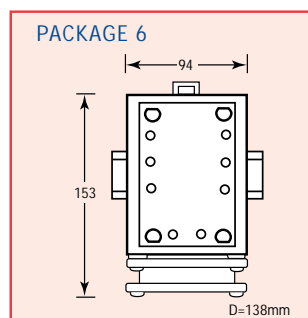
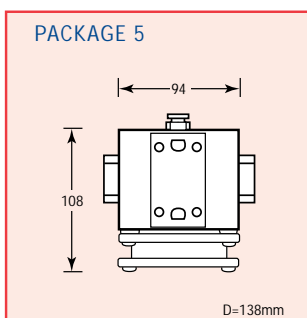
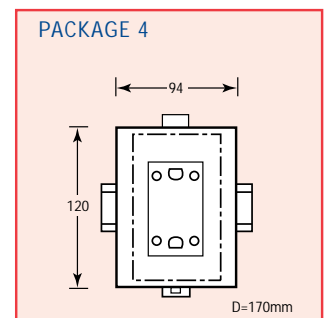
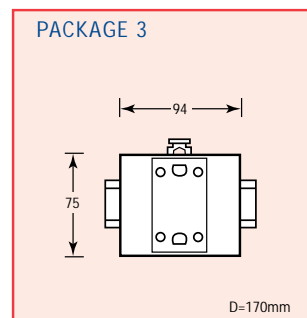
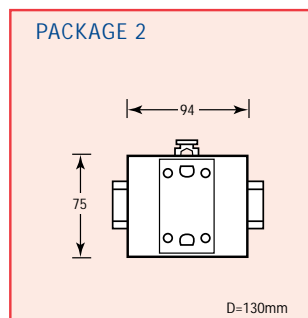
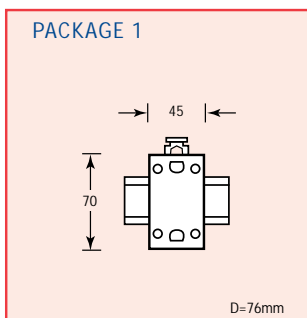
PART NUMBER EXAMPLES

F105	-	A		D1	-	12	-	D
-------------	---	---	--	----	---	----	---	---

DC output with an AC input, 100V DC/12Amp output, Din Rail Mounting, Package 2

F115	-	D		A4	-	50	Z	P
-------------	---	---	--	----	---	----	---	---

AC single phase output with a DC input, 415VAC/50Amp output, Zero Cross, Panel Mounting, Package 2



NOTE: All dimensions in mm D= Depth from top surface of Din Rail to top of SSR