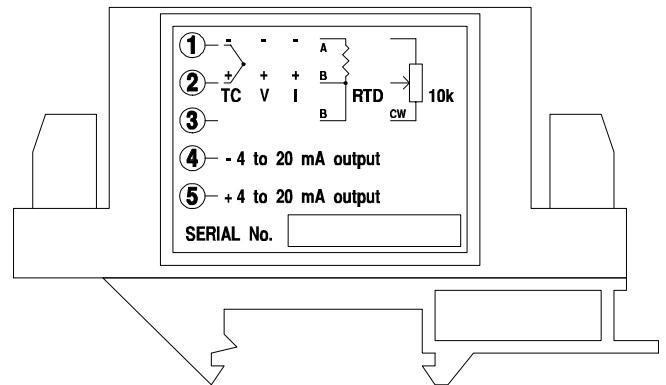
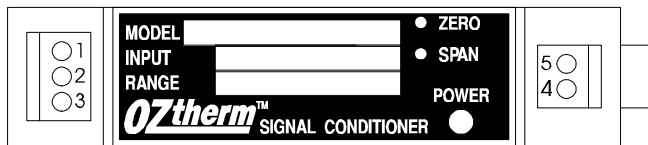


# OZtherm<sup>TM</sup>

## 2 wire transmitter



H x W x D = 98 x 26 x 60 mm

## F-901

### 24 VDC LOOP POWERED TRANSMITTER

The OZTHERM range of 2 wire transmitters are of the 24 Volt DC loop powered non isolated type. A full range of inputs are available which include type K and J thermocouples, PT100 RTD sensors, DC voltage, DC current and potentiometers. Linearisation is provided as standard on thermocouple and RTD models while cold junction compensation is standard on thermocouple models. Output is 4 to 20 mA.

#### MODEL DESIGNATION / ORDER CODE

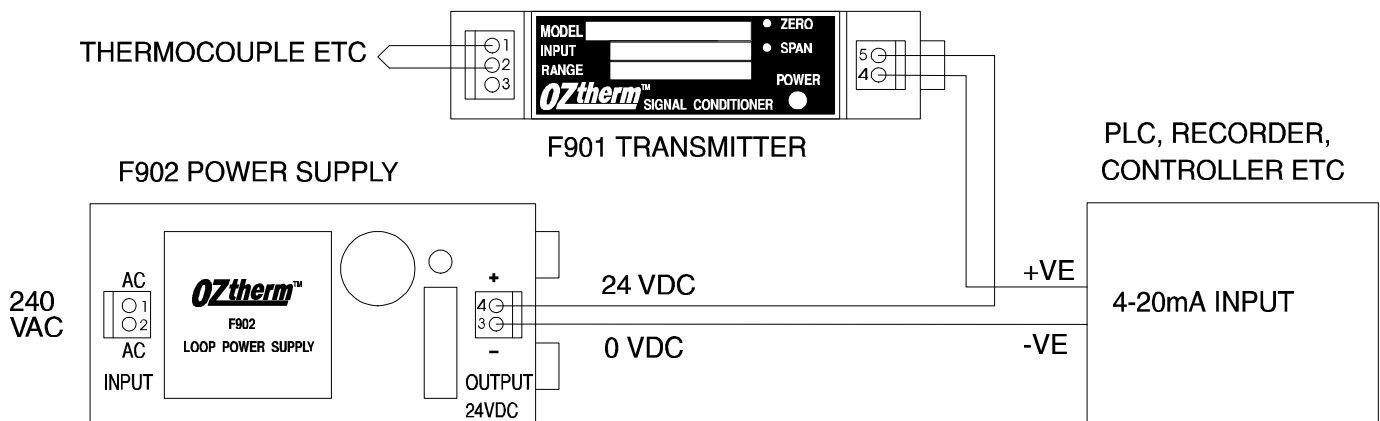
F901	-	/	DESCRIPTION	ORDERING EXAMPLE
	K		Type K Thermocouple	F901-K/0 to 400
	J		Type J Thermocouple	F901-J/0 to 400
	R		RTD Din 3 wire PT100	F901-R/-200 to 200
	A		mA current	F901-A/0 to 1
	V		DC Voltage	F901-V/1 to 5
	P		10k potentiometer	F901-P/10k
			select range from specification table	

## F-901 24 VDC LOOP POWERED TRANSMITTER

### Specifications

Input Ranges	PT100	K T/C	J T/C	Voltage DC	Current DC	Potentiometer
	-200 to 800	0 to 200	0 to 200	0 to 1	0 to 1 mA	10k ohm
	-200 to 200	0 to 400	0 to 400	0 to 10	0 to 20 mA	
	-100 to 100	0 to 1000	0 to 600	1 to 5	4 to 20 mA	
	-50 to 50	0 to 1200	0 to 800	2 to 10		
	0 to 100					
	0 to 200					
	0 to 400					
0 to 800						
Input units	deg C	deg C	deg C	Volts DC	mA DC	ohms
Input resistance	> 10M ohm	> 1k ohm	> 1k ohm	> 200k ohm	1k8 (1mA) 100 (20mA)	> 200k ohm
Excitation	1 mA or less ( PT100 only )					
Burnout	Upscale					
Output	4 to 20 mA loop powered					
Load resistance	600 ohms maximum					
Supply Voltage	24 VDC nominal					
Adjustment	zero and span via 10 turn trimpot					
Operating temperature	0 to 50 deg Celcius					
Storage temperature	-25 to 70 deg Celcius					
Temperature drift	<0.1% per 10,000 hrs					
Linearity	<1% of maximum scale (0.25% typ)					
Repeatability	<+/- 0.25% span error					

### Connection diagram



### LOCAL REPRESENTATIVE

**Fastron**  
TECHNOLOGIES PTY. LTD.

HEAD OFFICE  
25 Kingsley Close  
Rowville 3178  
Victoria Australia

Tel: 61- 3 9763 5155 Fax: 61-3 9763 5166  
Email;- fastron@ozemail.com.au

